

Specifications:	CX1	CX2	CX3	CX5
Power Supply	1 Phase 110V/220V/240V	1 Phase 110V/220V/240V	1 Phase 110V/220V/240V	1 Phase 110V/220V/240V
Packing Size	Max.: L∞ x W500 x H500 mm Min.: L150 x W170 x H110 mm	Max.: L∞ x W500 x H500 mm Min.: L150XW135XH105mm(3") L150XW110XH105mm(2")	Max.: L∞ x W500 x H500 mm Min.: L150XW170XH100mm	*Customize*
Tape Width	50 mm (2") or 76 mm (3")	50 mm (2") or 76 mm (3")	50 mm (2") or 76 mm (3")	50mm(2") or 76mm(3")
Working Table Height	570~770 mm (Adjustable)	570~770 mm (Adjustable)	570~770 mm (Adjustable)	570~770mm (Adjustable)
Sealing Capacity	20 Cartons per minute (Carton: L500 mm, Power: 60 HZ)	20 Cartons per minute (Carton: L500 mm, Power: 60 HZ)	20 Cartons per minute (Carton: L500 mm, Power: 60 HZ)	*Customize*
Dimensions		L1023 x W900 x H1375 mm (without optional extensive working table)	L1023 x W900 x H1375 mm (without optional extensive working table)	
Net Weight		140 Kg	165 Kg	

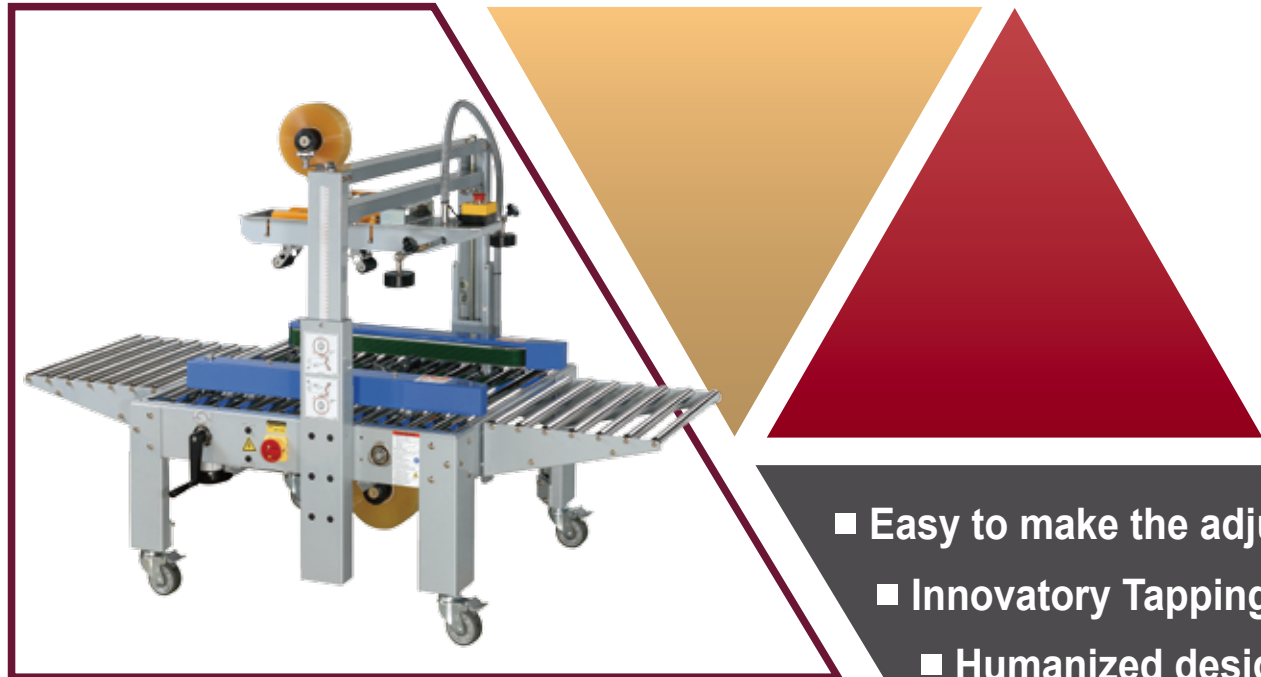
Specifications:	CX6	CX2M	CXF2	CXF2(CE)
Power Supply	1 Phase 110V/220V/240V	1 Phase 110V/220V/240V	1 Phase 110V/220V/240V	1 Phase 110V/220V/240V
Packing Size	Max.: L∞ x W500 x H500 mm Min.: L150 x W150 x H150 mm	Max.: L360 x W128 x H360 mm Min.: L110 x W70 x H50 mm	Max.: L∞ x W500 X H500 mm Min.: L150 x W135 x H120 mm	Max.: L∞ x W500 X H500 mm Min.: L150 x W135 x H120 mm
Tape Width	50 mm (2") or 76 mm (3")	50 mm (2")	50 mm (2") or 76 mm (3")	50 mm (2") or 76 mm (3")
Working Table Height	570~770 mm (Adjustable)	570~770 mm (Adjustable)	570~770 mm (Adjustable)	570~770 mm (Adjustable)
Transmit Speed	20 Cartons per minute	20 Cartons per minute	20M / Min.	20M / Min.
Dimensions	(Carton: L500mm, Power:60HZ)	(Carton: L500 mm, Power: 60 HZ)		L1240 x W975 x H1425 mm
Air Compressor			6 Kg / cm ²	6 Kg / cm ²

Specifications:	CXF3	CXF3(CE)	CXA2
Power Supply	1 Phase 110V/220V/240V	1 Phase 110V/220V/240V	1 Phase 110V/220V/240V
Packing Size	Max.: L∞ x W500 X H500 mm Min.: L150 x W135 x H120 mm	Max.: L∞ x W500 X H500 mm Min.: L150 x W135 x H120 mm	Max.: L550 x W500 x H500 mm Min.: L200 x W135 x H110 mm
Tape Width	50 mm (2") or 76 mm (3")	50 mm (2") or 76 mm (3")	50 mm (2") or 76 mm (3")
Working Table Height	570~770 mm (Adjustable)	570~770 mm (Adjustable)	570~770 mm (Adjustable)
Transmit Speed	20M / Min.	20M / Min.	20M / Min.
Dimensions	L1240 x W910 x H1320 mm	L1240 x W975 x H1425 mm	
Air Compressor	6 Kg / cm ²	6 Kg / cm ²	6 Kg / cm ²
Net Weight	165 Kg		

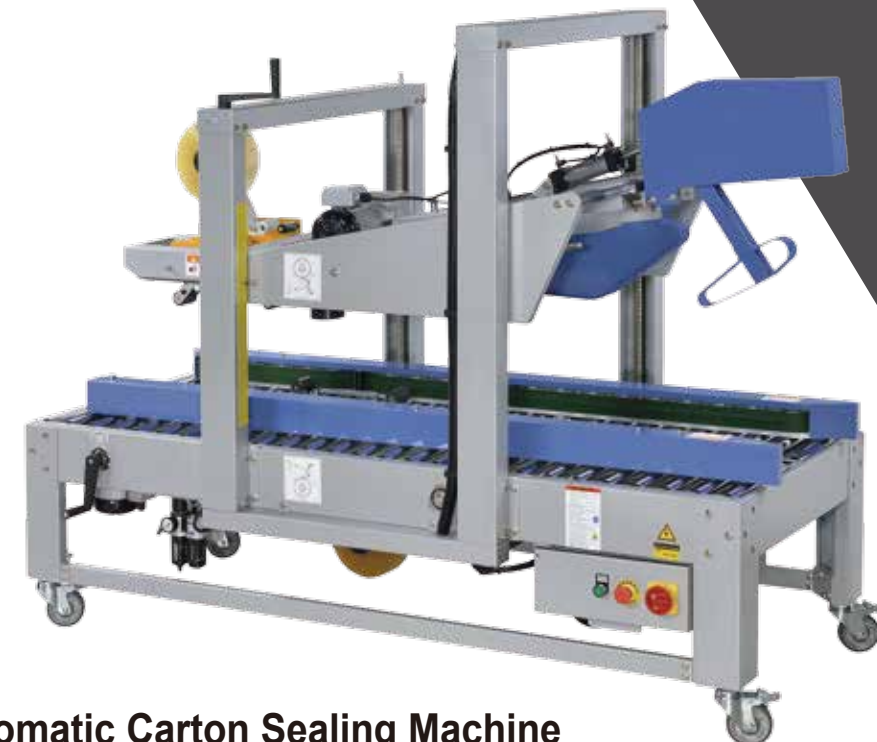
Specifications:	CXF2A	CXA3	CXF3A
Power Supply	1 Phase 110V/220V/240V	1 Phase 110V/220V/240V	1 Phase 110V/220V/240V
Packing Size	Max.: L550 x W500 x H500 mm Min.: L200 x W170 x H120 mm	Max.: L550 x W500 x H500 mm Min.: L200 x W150 x H110 mm	Max.: L550 x W500 x H500 mm Min.: L200 x W170 x H120 mm
Tape Width	50 mm (2") or 76 mm (3")	50 mm (2") or 76 mm (3")	50 mm (2") or 76 mm (3")
Working Table Height	570~770 mm (Adjustable)	570~770 mm (Adjustable)	570~770 mm (Adjustable)
Transmit Speed	20M / Min.	20M / Min.	20M / Min.
Air Compressor	6 Kg / cm ²	6 Kg / cm ²	6 Kg / cm ²

Specifications:	CXEB	CXFEB	CXFEB(CE)
Power Supply	1 Phase 110V/220V/240V	1 Phase 110V/220V/240V	1 Phase 110V/220V/240V
Packing Size	Max.: L730 x W550 x H600 mm Min.: L280 x W180 x H180 mm	Max.: L600 x W500 x H500 mm Min.: L260 x W200 x H180 mm	Max.: L600 x W500 x H500 mm Min.: L260 x W200 x H180 mm
Tape Width	50 mm (2") or 76 mm (3")	50 mm (2") or 76 mm (3")	50 mm (2") or 76 mm (3")
Working Table Height	570~770 mm (Adjustable)	570~770 mm (Adjustable)	570~770 mm (Adjustable)
Transmit Speed	20M / Min.	20M / Min.	20M / Min.
Air Compressor	6 Kg / cm ²	6 Kg / cm ²	6 Kg / cm ²

CX Series



- Easy to make the adjustment
- Innovatory Tapping Head
- Humanized design



Semi-automatic Carton Sealing Machine
Fully-automatic Carton Sealing Machine
Carton Edge Sealing Machine and Carton Flap Folding Machine

*All machine's specification figures and data are for reference only.



GX1

Semi-automatic Top & Bottom Belts Driving Carton Sealing Machine

- Equipped with Top & Bottom Belts can transport light cartons and keeps sealing on the center of cartons.
- Suitable for various carton sizes for adhesive tape sealing, with compact design can be used in many different working spaces.
- Optional extensive working table can be integrate various packaging equipment working on a packing line.

GX5

Semi-automatic Carton Side Sealing Machine

- Equipped with top and bottom belt driving can transport side-open carton and keeps sealing on both side.
- Suitable for various carton sizes for adhesive tape sealing, with compact design can be used in many different working spaces.
- Optional extensive working table can be integrate various packaging equipment working on a packing line.



GX2

Economic Type Semi-automatic Side Double Belts Driving Carton Sealing Machine

- Equipped with side double belts can transport both heavy and light cartons and keeps sealing on the center of cartons.
- Suitable for various carton sizes for adhesive tape sealing, with compact design can be used in many different working spaces.
- Optional extensive working tables can integrate various packaging equipment working on a packing line.



GX6

Semi-automatic Carton (Bottom) Sealing Machine

- Equipped with top side free roller and bottom belt driving can transport open-top carton and keeps sealing on bottom.
- Suitable for various carton sizes for adhesive tape sealing, with compact design can be used in many different working spaces.
- Optional extensive working table can be integrate various packaging equipment working on a packing line.



GX3

Semi-automatic Top & Side Double Belts Driving Carton Sealing Machine

- Equipped with top and side double-belts can transport both heavy and light cartons and keeps sealing on the center of cartons.
- Suitable for various carton sizes for adhesive tape sealing, with compact design can be used in many different working spaces.
- Simplified operating device can easily to fit different shapes of cartons and seal two tapes on top and bottom at one time.
- Durable and stable driven belts can provide operators with working ease when proceeding continued sealing applications.
- Could be worked with other auto packaging equipments among the process such as auto strapping machinery with sensors.
- By using advanced peak type cutting blade can easily cut off adhesive tape not to jagged or tear to shred.
- Optional extensive working tables can integrate various packaging equipments working on a packing line.



GX2M

Semi-automatic Side Belts Driving with Mini Frame and Pneumatic Cutting Device Carton Sealing Machine

- Equipped with downsize of side belts, staged-taper, and machine frame.
- Design for smaller carton sizes for adhesive tape sealing, with pneumatic cutting device.
- Optional extensive working table can be integrate various packaging equipment working on a packing line.





GXF2

Fully-automatic Side Double Belts Driving Carton Sealing Machine

- To adjust height and width in accordance with the different size of carton automatically.
- The side driving device and can automatically fix position of carton, start sealing and the whole operation is stable.
- The side motors and upper taping head are controlled by cylinder and automatically fix the position of carton. It is available for automatic packing system.
- The table height can be adjusted according to the height of input & output conveyors.

GXF2_{CE}

Economic Type Fully-automatic Side Double Belts Driving Carton Sealing Machine With CE Safety Switch & Covers

- The side double driving belts are suitable for various heavy products.
- Connected with strapping machines, conveyors and weigh machines to be a complete packing line.
- Adjust the height and width in accordance with the different sizes of cartons automatically.
- The side motors and upper taping head are controlled by cylinder and automatically fix the position of carton.
- Equipped with CE safety switch for CE application.
- Equipped with 2 sides of safety covers for CE application.



GXF3

Fully-automatic Top & Side Double Belts Driving Carton Sealing Machine

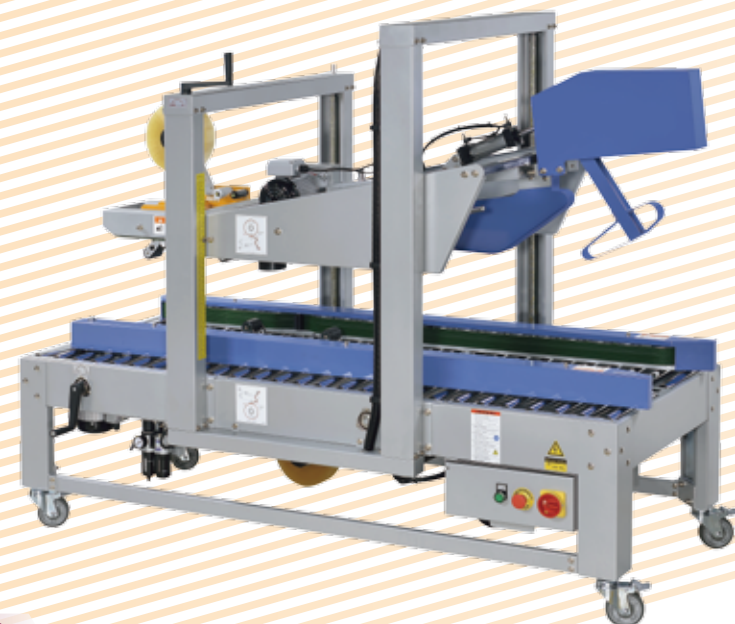
- To adjust the height and width in accordance with the different sizes of cartons automatically.
- The side driving device can automatically fix the position of carton, start sealing and the whole operation is stable.
- The top and side driving belts are suitable for heavy products.
- The side motors and upper taping head are controlled by cylinder and automatically fix the position of carton. It is available for automatic packing system.
- The table height can be adjusted according to the height of input & output conveyors.



GXF3_{CE}

Fully-automatic Top & Side Double Belts Driving Carton Sealing Machine With CE Safety Switch & Covers

- The top and side double driving belts are suitable for various heavy products.
- Connected with strapping machines, conveyors and weigh machines to be a complete packing line.
- Adjust the height and width in accordance with the different sizes of cartons automatically.
- The side motors and upper taping head are controlled by cylinder and automatically fix the position of carton.
- Equipped with CE safety switch for CE application.
- Equipped with 2 sides of safety covers for CE application.



GXA2

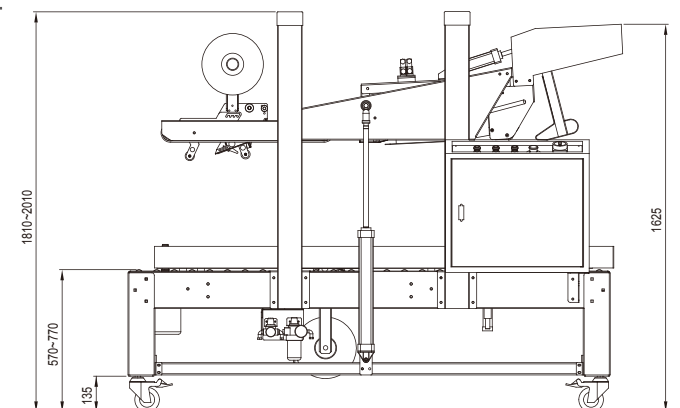
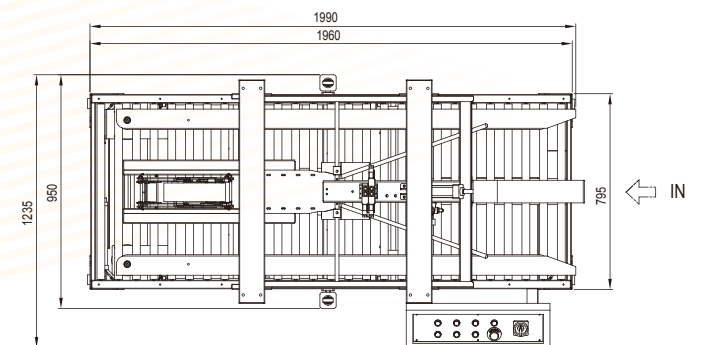
Semi-automatic Flap Folding & Carton Sealing Machine

- Equipped with side belts and pneumatic folding device
- When the users feed the carton into the machine, the machine will automatically fold the front flap, rear flap and side flaps of carton, then process to tape the carton and send out the carton.
- The height and the width of the carton can be adjusted by crank handle and it is easy to adjust.

GXF2A

Fully-automatic Flap Folding & Carton Sealing Machine

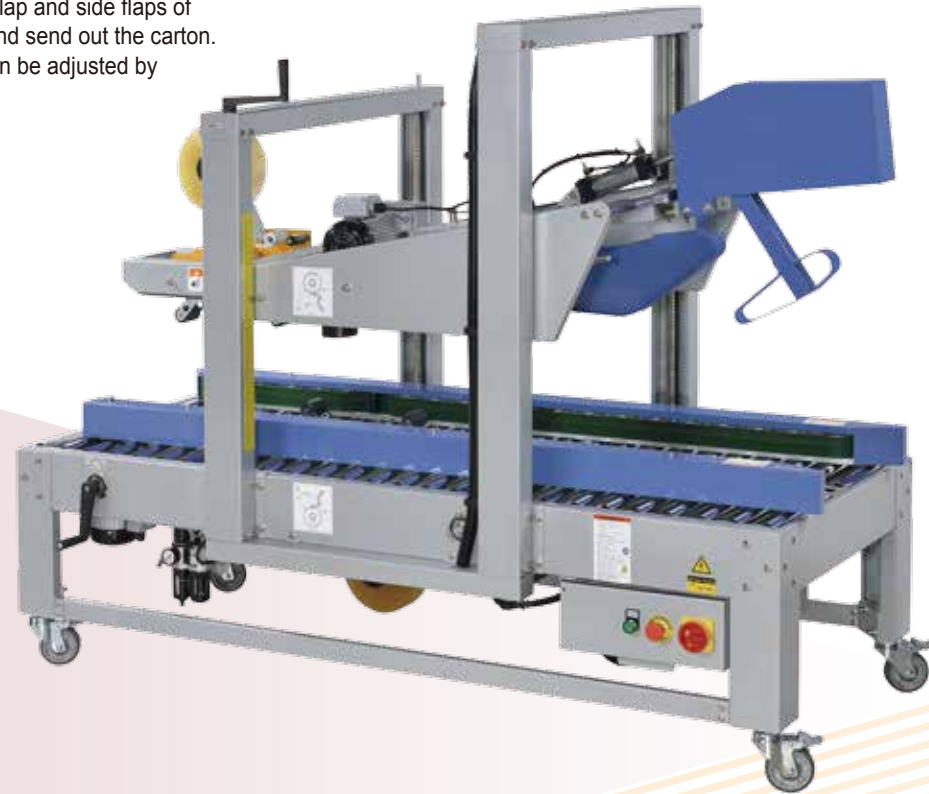
- The width & height of carton are adjusted by automatic pneumatic system and it is suitable for the fully-automatic packing system with various sizes of cartons.
- The side driving device and can automatically fix position of carton, start sealing and the whole operation is stable.
- The top flaps of the carton will be automatically folded and be sealed smoothly at a time. It will save the labor and a lot of time.



GXA3

Semi-automatic Flap Folding & Carton Sealing Machine

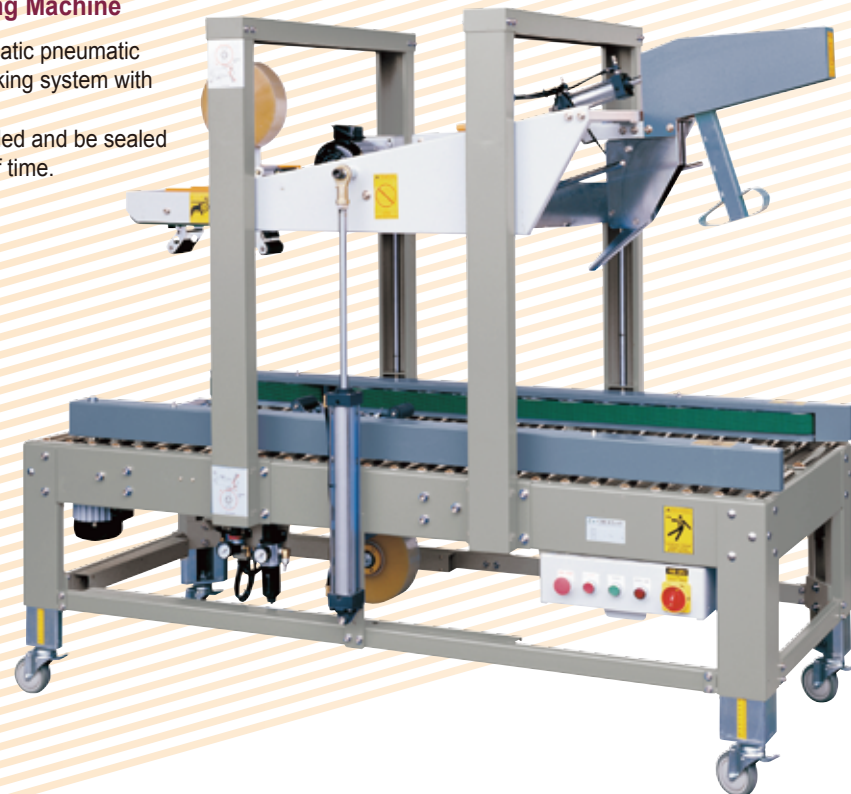
- Equipped with top & side belts and pneumatic folding device
- When the users feed the carton into the machine, the machine will automatically fold the front flap, rear flap and side flaps of carton, then process to tape the carton and send out the carton.
- The height and the width of the carton can be adjusted by crank handle and it is easy to adjust.



GXF3A

Fully-automatic Flap Folding & Carton Sealing Machine

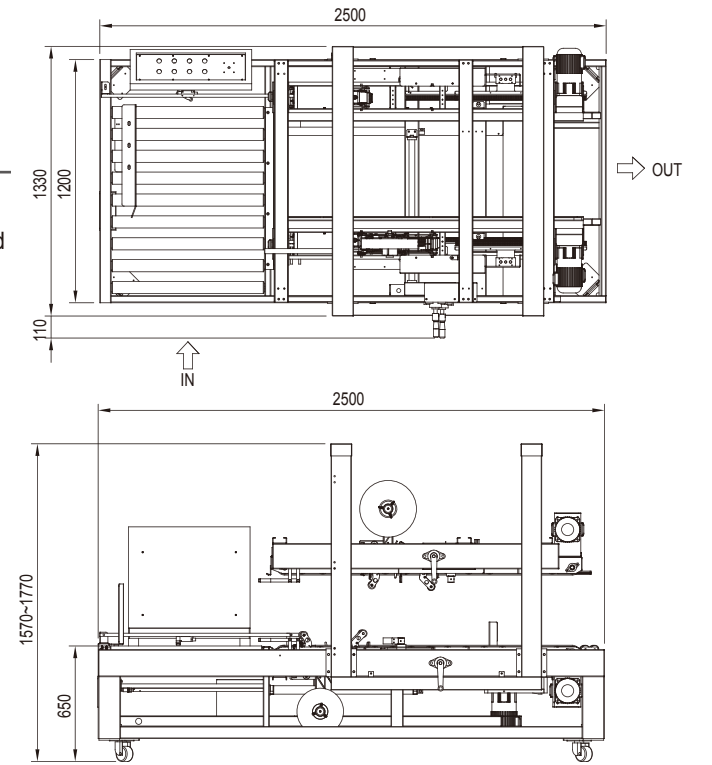
- The width & height of carton are adjusted by automatic pneumatic system and it is suitable for the fully-automatic packing system with various sizes of cartons.
- The top flaps of the carton will be automatically folded and be sealed smoothly at a time. It will save the labor and a lot of time.



GXEB

Semi-automatic Carton Edge Sealing Machine (Standard Type)

- Equipped with top & bottom belts driving device with 4 sets of taping head on both side.
- Suitable for various carton sizes for adhesive tape sealing, with compact design can be used in many different working spaces.
- Opening offer for customized machinery.



GXFEB

Fully-automatic Carton Edge Sealing Machine

- The width & height of carton are adjusted by automatic pneumatic system and it is suitable for the fully-automatic packing system with various sizes of cartons.



GXFEB_{CE}

Fully-automatic Carton Edge Sealing Machine