

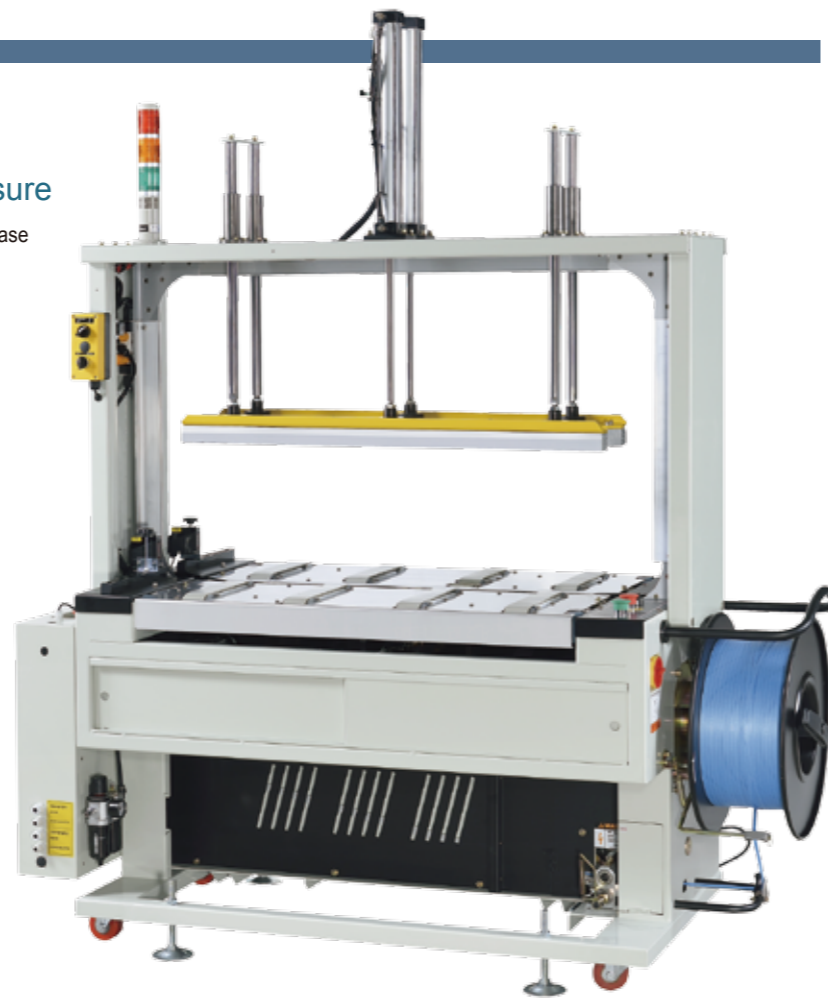
JN-85 PBTAPN

Power Belt Table with Light-duty Air Pressure

- Suitable for bigger carton/ paperboard or pre-transported forming-case strapping.
- Equipped with 2 sets of photocell and light-duty air-pressing bar.
- refer to JN-85PRAPN for the rest features.
- with Red / Yellow / Green Warning Lamp & Buzzer.
- with 4 Supporters for the purpose of adjustable table height.

Specifications

Arch Size	1050W x 600H mm (Optional)
Power Supply	110/220V 50/60Hz 1Ph; 220/380V 50/60Hz 3Ph
Strap Width	9~15.5mm
Sealing Method	Heat Sealing
Cylinder	Inner Diameter: Ø40
Pressure	5kg/cm ² (Bar)
Stroke	550mm
Table Height	815mm
Max. Packing Size	1000W x 560H mm
Min. Packing Size	300W x 100H mm



CHALI® Strapping Systems

JN-85 Series

Fully Automatic Strapping Machine

- With 3rd Generation Aluminum Alloy Arch
- Modular Design
- Easy to Assemble & Disassemble
- Change Size Economical
- No Arch Motor Required



JN-85 PBAPN

Pre-arrange,positioning Functions Enclosed

- Accessed in Magazines or Catalogs publishing line, which is suitable for strapping on the printed catalogs or papers with pre-arranging and pressing bar.
- In order to fit with various sized publication, this system can be adjusted for different strapping positions.
- This system is usually incorporate with the transporting and strapping of publication before binding is complete.

Specifications

Arch Size	650W x 400H mm (Optional)
Power Supply	110/220V 50/60Hz 1Ph; 220/380V 50/60Hz 3Ph
Tension Strength	Max.70Kgs
Strap Width	6~15.5mm
Sealing Method	Heat Sealing
Cylinder	Inner Diameter: Ø40
Pressure	5kg/cm ² (Bar)
Table Height	825mm
Max. Packing Size	300W x 350H mm
Min. Packing Size	120W x 100H mm



JN-85 E

Standard Model

- Modular designed Aluminum alloy arch, easy to assemble and disassemble.
- Auto strap positioning and retry feeding functions enable operating of humanity.
- Convenient operating modes with panel, ball switch and foot pedal switch.
- Internal electricity is 24V accessing, prevent operators from shocking.
- with CKD frame and powder painting on frame.
- Change color on iron arch cover, front doors & frame is available. (Optional)

Specifications

Arch Size	850W x 600H mm (Standard)
Power Supply	110/220V 50/60Hz 1Ph; 220/380V 50/60Hz 3Ph
Strap Cycle Speed	28 Cycles/ 60Hz, 26 cycles/ 50Hz per Min
Tension Strength	Max. 70kgs
Strap Width	6~15.5mm
Sealing Method	Heat Sealing
Dimensions	1400W x 640D x 1475H mm
Table Height	810mm
Machine Weight	220kgs
Gross Weight	265kgs



JN-85 ZE

Outside Tension Model

- Outside Tension Adjustment: it is easy to adjust the tension via Tension Knob.
- Automatic positioning and re-try functions: to secure the strap goes to its' proper position and every cycle is accurate and efficient.
- Controlled by P.C. Board with multiple functions.
- ABS Dispenser.(Optional)
- Basic functions are as same as JN-85E.
- with CKD frame and powder painting on frame.
- Change color on iron arch cover, front doors & frame is available.(Optional)

Specifications

Arch Size	850W x 600H mm (Standard) (Aluminum arch cover)
Power Supply	110V/220V 1 Phase; 220V/380V/415V 3 Phase
Strap Cycle Speed	28-30 Cycles / Min. (60HZ) (It depends on the package size)
Tension Strength	Max. 70 Kg
Strap Width	6-15 mm (Change kits and adjustment)
Sealing Method	Heat Sealing
Dimensions	1400Wx 640D x 1475H mm (Standard)
Table Height	810 mm
Machine Weight	220 Kg
Available Packing Size	100-825W x 30-580H mm



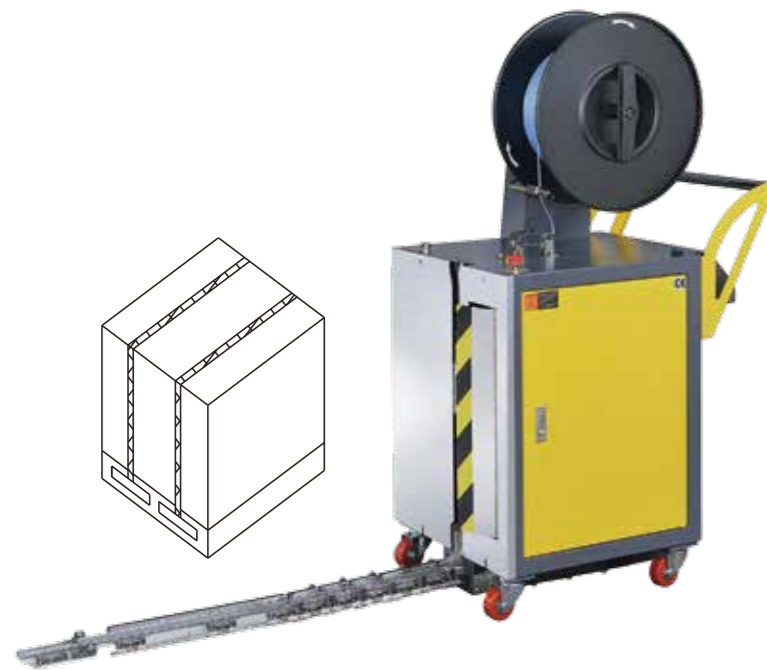
JN-85 PSA

Semi-auto Pallet Strapping Machine with Mobile Strap Guide.

- Mobile Strap Guide
- Available for various products on pallet
- Dispenser core inner dia.: Ø200 mm (Standard)
- Mini. package height: H630 mm
- Available for PET strap (Optional)
- Available for Dispenser core inner dia.: Ø406 mm (Optional)

Specifications

Strap guide (Length)	L 1000 mm (Standard)
Power Supply	110V/220V 1 Phase; 220V/380V/415V 3 Phase
Dimension	870W x 540D x 1380H mm
Strap Width	12-15 mm (Change kit and adjustment)
Tension Strength	Max.70 Kg
Sealing Method	Heat Sealing



JN-85 SE

Stainless Steel Frame

- This model is made for strapping on the wet packages and in high moisture environment.
- The frame and most of parts is made of stainless steel such as screws and some hardware.
- The dispenser discs are made of ABS and equipped with rust-free patented Aluminum alloy made modular arch.

Specifications

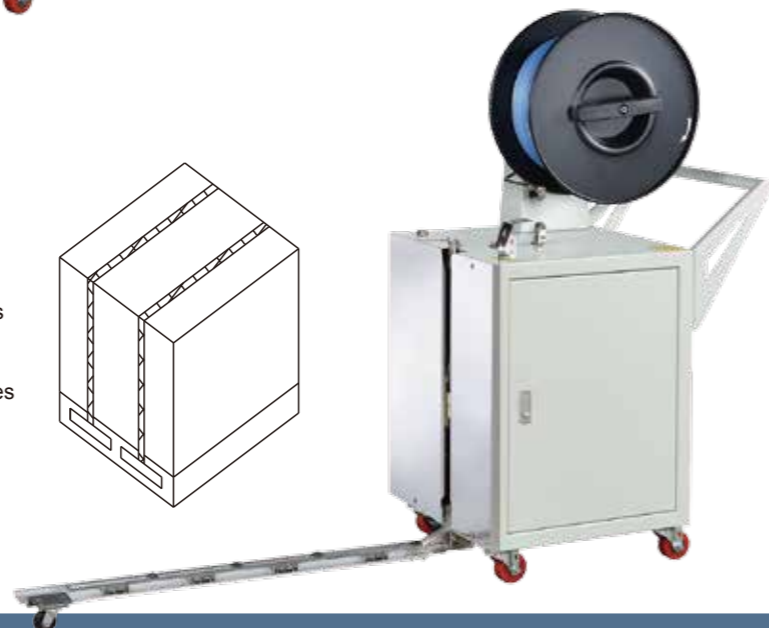
Arch Size	850W x 600H mm (Standard)
Power Supply	110/220V 50/60Hz 1Ph; 220/380V 50/60Hz 3Ph
Strap Cycle Speed	28 Cycles/ 60Hz, 26 cycles/ 50Hz per Min
Tension Strength	Max. 70kgs
Strap Width	6~15.5mm
Sealing Method	Heat Sealing
Dimensions	1400W x 640D x 1475H mm
Table Height	810mm
Machine Weight	220kgs
Gross Weight	265kgs

JN-85 PS

- Semi-automatic pallet strapping machine for various requirements when packaging cargo on pallets.
- Moveable design of this model provides convenient operation especially for delicate working places with manual lift where cranes cannot reach.

Specifications

Strap Guide Length	1000mm
Min. Packaging Height	550mm



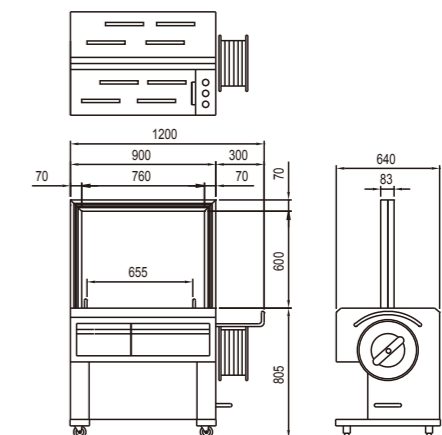
JN-85 EM

Minimized Model

- Minimized model of JN-85U by width and height 200mm, suitable for smaller working space and for smaller packages strapping.
- If customer requires optional size which smaller than 650W x 400Hmm is available.
- with CKD frame and powder painting on frame.
- Change color on iron arch cover, front doors & frame is available.(Optional)

Specifications

Arch Size	650W x 400H mm (Standard)
-----------	---------------------------



JN-85 LPRU

Low Table Power Roller Model

- Lower power roller table with standard table height H450 or H500mm.
- Optional height for incorporating with conveyor is also available.(Optional)
- Equipped with 2 photocells to work with conveyors is available JN-85LPRU-2HT.
- Refer to JN-85PRU for rest features.
- Equipped with Table Roller Cover.

Specifications

Arch Size	850W x 600H mm (Standard)
Power Supply	110/220V 50/60Hz 1Ph; 220/380V 50/60Hz 3Ph
Strap Cycle Speed	2.5 Sec/cycle
Tension Strength	Max. 70kgs
Strap Width	9~15.5mm
Sealing Method	Heat Sealing
Dimensions	1940W x 800D x 1670H mm
Table Height	455mm or 505mm
Package Size	300-820W , 30-560H mm
Machine Weight	307kgs
Gross Weight	402kgs
Power Roller Speed	15M/50Hz Per Min.



JN-85 LPBU

Low Table Power Belt Model

- Low power belt table with standard table height H450 or H500mm.
- Optional height for incorporating with conveyor is also available.(Optional)
- Equipped with 2 sets of photocell to work with conveyors is available JN-85LPB-2HT.
- Refer to JN-85PBU for rest features.

Specifications

Arch Size	850W x 600H mm (Standard)
Power Supply	110/220V 50/60Hz 1Ph; 220/380V 50/60Hz 3Ph
Strap Cycle Speed	2.5 Sec./ cycle
Tension Strength	Max. 70kgs
Strap Width	9~15.5mm
Sealing Method	Heat Sealing
Dimensions	1940W x 640D x 1670H mm
Table Height	455mm or 505mm
Package Size	200-520W , 30-560H mm
Machine Weight	307kgs
Gross Weight	402kgs
Power Belt Speed	17M/50Hz Per Min.



JN-85 PBU

Standard Power Belt Table

- Standardized power belt table model with 2 sets of photocell.
- Optional straps No. is available for 1, 2 or no strapping on the packages.
- More straps application is also available as an option before order is fixed.
- This model can incorporate with input and output conveyors as a strapping system. The control system of conveyors can be connected with this model.
- An optional photocell to control the table transmitting is available, which can auto-stop the table when no package is input.

Specifications

Arch Size	850W x 600H mm (Standard)
Power Supply	110/220V 50/60Hz 1Ph; 220/380V 50/60Hz 3Ph
Strap Cycle Speed	2.5 Sec./ cycle
Tension Strength	Max. 70kgs
Strap Width	9~15.5mm
Sealing Method	Heat Sealing
Dimensions	1550W x 640D x 1550H mm
Table Height	825mm
Package Size	200-520W, 30-560H mm
Machine Weight	307kgs
Gross Weight	402kgs
Power Belt Speed	17M/50Hz Per Min.



JN-85 PBU

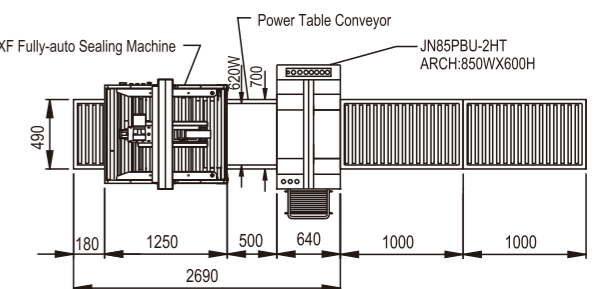
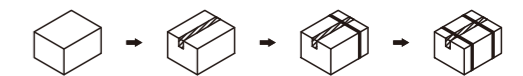
Special Design for Table Height H650~800 mm

- Basic functions are as same as JN-85PBU-2HT (Standard)
- The table height can be re-designed from H650 to H800 mm accordingly.
- Equipped with another one "Table Auto-Stop" Photocell (PH 0). The PH 0 photocell should be equipped on the input (belt driving or roller driving) conveyor. When there is no any packages on the machine within 30 sec., the power table will stop driving for a while. When the packages come again, the input conveyor and JN-85PBU-2HT will re-start automatically via the PH 0 photocell. (Optional)
- Equipped with 4 supporters (Optional)



Special Design for Table Height H650~800 mm

Automatic Strapping and Sealing line



JN-85 PRU

Standard Power Roller Table

- Standardized power roller table model with 2 sets of photocell JN-85PRU-2HT.
- Optional straps No. is available for 1, 2 or no strapping on the packages. More straps application is also available as an option before order is fixed.
- This model can incorporate with input and output conveyors as a strapping system. The control system of conveyors can be connected with this model.
- An optional photocell to control the table transmitting is available, which can auto-stop the table when no package is input.
- Equipped with Table Roller Cover.

Specifications

Arch Size	850W x 600H mm (Standard)
Power Supply	110/220V 50/60Hz 1Ph; 220/380V 50/60Hz 3Ph
Strap Cycle Speed	2.5 Sec/cycle
Tension Strength	Max. 70kgs
Strap Width	9~15.5mm
Sealing Method	Heat Sealing
Dimensions	1550W x 800D x 1470H mm
Table Height	815mm
Package Size	300~820W , 30~560H mm
Machine Weight	330kgs
Gross Weight	430kgs
Power Roller Speed	15M/50Hz Per Min.



JN-85 PRAPN

Power Roller Table with Light-duty Air pressure

- Mono-strapping with air-pressing bar which suitable for carton/ paperboard or pre-transported forming-case strapping.
- The arch size is optional to fit various of package sizes.
- According to requirements, additional functions such as heavier pressure or delay strapping is available.
- Equipped with Table Roller Cover.

Specifications

Arch Size	1650W x 600H mm(Optional)
Power Supply	110/220V 50/60Hz 1Ph; 220/380V 50/60Hz 3Ph
Strap Width	9~15.5mm
Sealing Method	Heat Sealing
Cylinder	Inner Diameter: Ø40
Pressure	5kg/cm ² (Bar)
Stroke	550mm
Dimensions	2350W x 800D x 2300H mm
Table Height	815mm



JN-85 OP

Oil-pressure

- It is suitable to strap the expansive packages such as canvas bags, dustproof bags and corrugated boards and so on.
- Equipped with 5 HP Oil Compression System and with stronger external frame structure to provide 2.5 Ton of pressure.

Specifications

Arch Size	850W x 800H mm (Standard)
Power Supply	110V/220V 1 Phase; 220V/380V/415V 3 Phase
Tension Strength	Max. 70 Kg
Strap Width	9-15mm (Change kits and adjustment)
Sealing Method	Heat Sealing
Dimensions	1760W x 640D x 2700H mm (Standard)
Table Height	815mm
Oil Cylinder	Ø50 x 750L mm per piece (2 pieces/ machine)



JN-85 APN

Light-duty Air-pressure

- Mono-strapping with air-pressing bar which suitable for carton/ paperboard or pre-transported forming-case strapping.
- The arch size is optional to fit various of package sizes.
- According to requirements, additional functions such as heavier pressure or delay strapping is available.

Specifications

Arch Size	850W x 600H mm (Standard)
Power Supply	110/220V 50/60Hz 1Ph; 220/380V 50/60Hz 3Ph
Strap Cycle Speed	8 Sec./ Cycle
Tension Strength	Max. 70kgs
Strap Width	6~15.5mm
Sealing Method	Heat Sealing
Cylinder	Inner Diameter: Ø40
Pressure	5kg/cm ² (Bar)
Stroke	550mm
Dimensions	1450W x 640D x 2140H mm
Table Height	810mm
Machine Weight	315kgs
Gross Weight	432kgs

