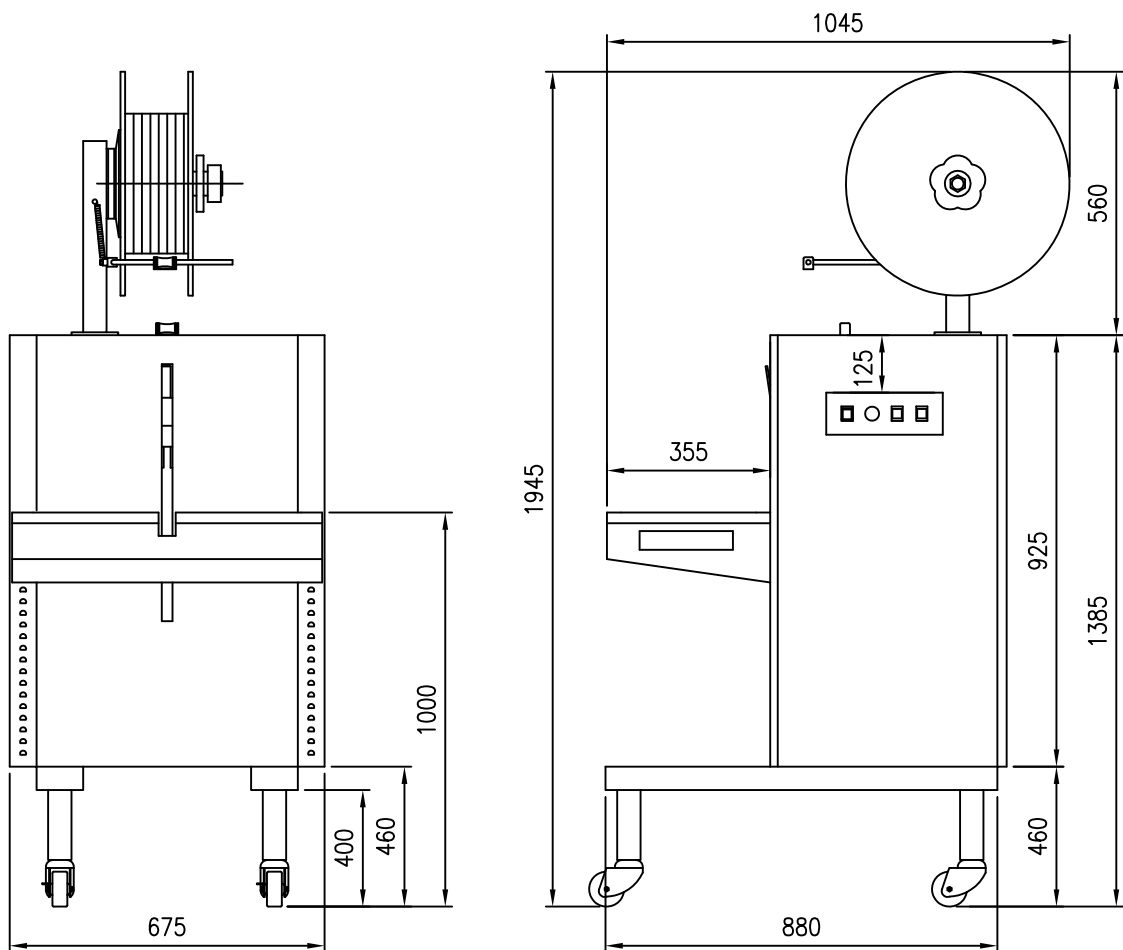
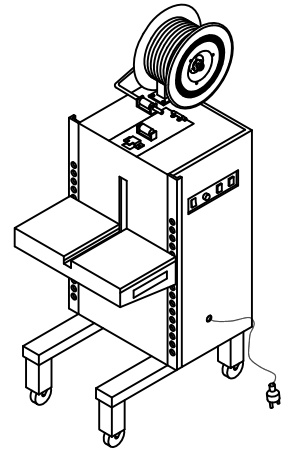


JN-600VS

STAINLESS STEEL SIDE SEAL HEAD

Semi-auto Strapping Machine



Specification

| | |
|----------------|-------------------------------------|
| Dimensions | 675(width),1045(depth),1945(height) |
| Sesling method | heat sealed |
| Strap Width | 6~15 mm |
| Speed | 2sec/strap(60Hz) |
| Tension | 65kg |
| Power Supply | 1phase,110/220v,50/60Hz |

▲ 注意:

請客戶確認: 1. 機台入口方向、2. 操作面板、3. 控制箱位置, 如與原規劃圖面不同而影響設計, 修改費用由貴司承擔。